

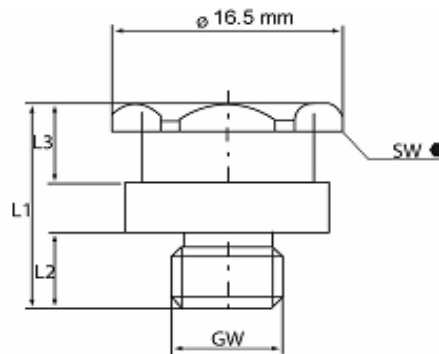
■ **UMETA Button-Head Grease Nipples**

Type T1

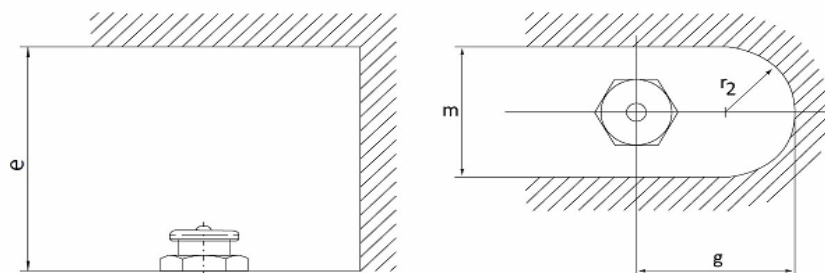


- hexagonal head form, wrench size 15 mm
- round collar, Ø 14.5 mm
- straight version A/180°
- standard version made of steel, zinc-plated and passivated, with cylindrical thread
- for other types and materials, please see table, or upon request

GW thread
L1 overall length
L2 thread length
L3 neck length
SW HEX size



(all measures in mm, thread metric or in inches)



Instructions for installation: necessary space			
e =	55 mm/2-11/64"	r =	16 mm/41/64"
m =	32 mm/1-17/64"	g =	35 mm/1-25/64"

GW	M 6 x 1.0			Ref.- No.:			
L1	L2	L3	SW	Steel	Brass	SST303	SST316L
16	6	6,2	15mm HEX	● 4501504			

GW	M 8 x 1.0			Ref.- No.:			
L1	L2	L3	SW	Steel	Brass	SST303	SST316L
16	6	6,2	15mm HEX	● 4501507			

GW	M 8 x 1.25			Ref.- No.:			
L1	L2	L3	SW	Steel	Brass	SST303	SST316L
16	6	6,2	15mm HEX	● 4501508			

GW				M 10 x 1.0			
				Ref.- No.:			
L1	L2	L3	SW	Steel	Brass	SST303	SST316L
16	6	6,2	15mm HEX	●	4501509		

GW				M 10 x 1.5			
				Ref.- No.:			
L1	L2	L3	SW	Steel	Brass	SST303	SST316L
16	6	6,2	15mm HEX	●	4501511		

GW				G 1/8, 1/8 - 28 BSPP			
				Ref.- No.:			
L1	L2	L3	SW	Steel	Brass	SST303	SST316L
16	6	6,2	15mm HEX	●	4501561	4611560	

GW				G 1/4, 1/4 - 19 BSPP			
				Ref.- No.:			
L1	L2	L3	SW	Steel	Brass	SST303	SST316L
16	6	6,2	15mm HEX	●	4501562		

GW				1/4" - 28 NF/UNF/SAE			
				Ref.- No.:			
L1	L2	L3	SW	Steel	Brass	SST303	SST316L
16	6	6,2	15mm HEX	●	4501537		

Type T1B

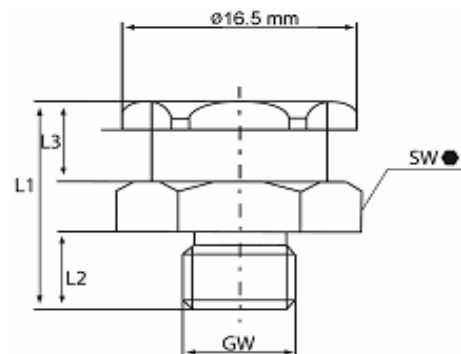


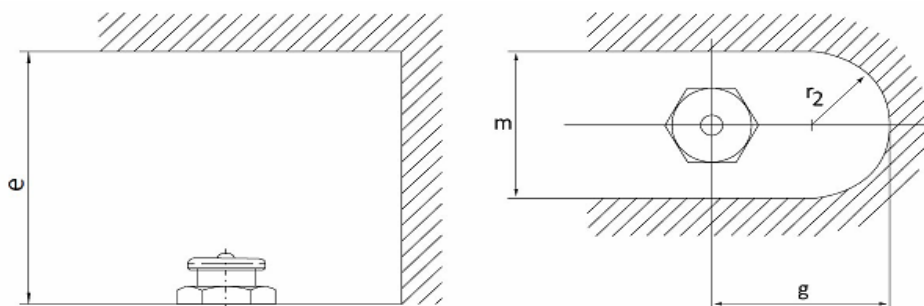
Button-Head Grease Nipples

- hexagonal head and collar, wrench size 15 mm
- straight version A/180°
- standard versions according to DIN are made of steel, zinc-plated and passivated, with cylindrical thread
- for other types and materials, please see table, or upon request

GW thread
L1 overall length
L2 thread length
L3 neck length
SW HEX size

(all measures in mm,
thread metric or in inches)





Instructions for installation: necessary space

e =	55 mm/2-11/64"	r =	16 mm/41/64"
m =	32 mm/1-17/64"	g =	35 mm/1-25/64"

GW	M 6 x 1.0			Ref.- No.:				
L1	L2	L3	SW		Steel	Brass	SST303	SST316L
16	6	6	15mm HEX	●	4601504	4611504		
GW	M 8 x 1.0			Ref.- No.:				
L1	L2	L3	SW		Steel	Brass	SST303	SST316L
16	6	6	15mm HEX	●	4601507	4611507		
GW	M 8 x 1.25			Ref.- No.:				
L1	L2	L3	SW		Steel	Brass	SST303	SST316L
16	6	6	15mm HEX	●	4601508	4611508		
GW	M 10 x 1.0			Ref.- No.:				
L1	L2	L3	SW		Steel	Brass	SST303	SST316L
16	6	6	15mm HEX	●	4601509	4611509	4621509	
GW	M 10 x 1.25			Ref.- No.:				
L1	L2	L3	SW		Steel	Brass	SST303	SST316L
16	6	6	15mm HEX	●	4601511	4611511		
GW	M 12 x 1.5			Ref.- No.:				
L1	L2	L3	SW		Steel	Brass	SST303	SST316L
16	6	6	15mm HEX	●	4601514	4611514	4621514	
GW	M 12 x 1.75			Ref.- No.:				
L1	L2	L3	SW		Steel	Brass	SST303	SST316L
16	6	6	15mm HEX	●	4601516			

GW	G 1/8, 1/8 - 28 BSPP			Ref.- No.:			
L1	L2	L3	SW	Steel	Brass	SST303	SST316L
16	6	6	15mm HEX	4601561	4611561	4621561	4641561

GW	G 1/4, 1/4 - 19 BSPP			Ref.- No.:			
L1	L2	L3	SW	Steel	Brass	SST303	SST316L
16	6	6	15mm HEX	4601562	4611562	4621562	4641562

GW	G 3/8, 3/8 - 19 BSPP			Ref.- No.:			
L1	L2	L3	SW	Steel	Brass	SST303	SST316L
16	6	6	15mm HEX	5372717			

GW	1/8" - 27 NPT/PTF			Ref.- No.:			
L1	L2	L3	SW	Steel	Brass	SST303	SST316L
16	6	6	15mm HEX				4641567

GW	1/4" - 28 NF/UNF/SAE			Ref.- No.:			
L1	L2	L3	SW	Steel	Brass	SST303	SST316L
16	6	6	15mm HEX	4601537			

GW	3/8" - 24 NF/UNF/SAE			Ref.- No.:			
L1	L2	L3	SW	Steel	Brass	SST303	SST316L
16	6	6	15mm HEX	4601539			