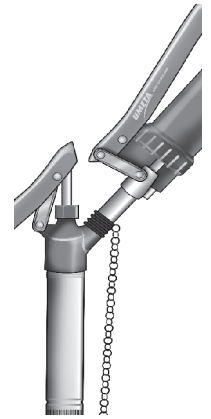


UMETA Grease Filling Device

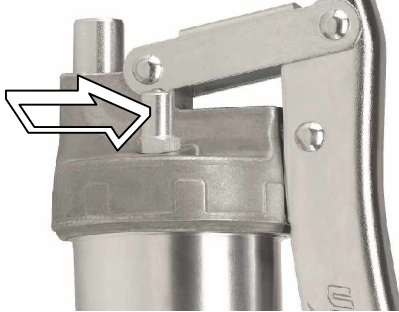


UMETA Filling Device for Grease Guns

All grease guns with a DIN filler valve can be filled from the bucket easily and safely by the inclined filling coupler. With variable screw-on features, the filling devices work with all common bucket sizes. The loose lid protects against dirt and grime and serves for simple control of filling height at the same time.



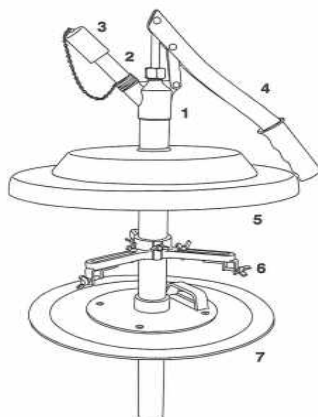
filler valve



technical details:

output	30 cc (1.1 oz.)/stroke
operating pressure	8 bar / 1.2 PSI
packed in	cardboard box
weight	in kgs, incl. packaging

content grease bucket	grease bucket Ø	bucket height max. in mm	weight in kgs	dimensions (L x W x H) in mm	ref. No.:
5 kgs	180-210 mm	510 (20")	3.8	670 x 420 x 100	7591783
10 kgs	210-240 mm	510 (20")	3.9	670 x 420 x 100	7591883
15 kgs	240-270 mm	510 (20")	4.3	670 x 420 x 100	7591483
20 kgs	270-310 mm	510 (20")	4.8	670 x 420 x 100	7591983
25 kgs	310-335 mm	680 (26.8")	5.4	670 x 420 x 100	7591583
50 kgs	335-385 mm	680 (26.8")	6.5	800 x 420 x 100	7591683



Pos.	Bezeichnung	Description	Details Version
1	Fettpumpe	grease pump / pompe à graisse	Rohrlänge / Length 530 mm 700 mm
2	Füllkupplung für Nippel	recharging valve / agrafe de remplissage	Ø 9 mm 14 mm
3	Staubkappe	cap / capuchon	
4	Hebel mit Griff	lever assembly / levier	
5	Staubdeckel	dust cover / couvercle	Ø 252 mm 282 mm 342 mm 385 mm
6	Befestigung	fixing bracket / serrage à vis	Ø 180-310 mm 310-405 mm
7	Fettfolgekolben	follower plate / piston suiveur	Ø 180-210 mm 210-240 mm 240-270 mm 270-310 mm 310-335 mm 335-385 mm